



AWM42300V



Actual product appearance may vary.

**Airflow Sensor, Signal Conditioning:
Unamplified (mV); Flow/Pressure
Range: ± 1000 sccm (1.0 SLPM); Port
Style: Manifold**

Features

- Precision silicon micromachining
- Sensitive to low flows - 0.1 sccm to 20 SLPM
- Adaptable for use with higher flows
- Fast response time
- Analog output
- Low power consumption
- Repeatable response
- Laser trimmed interchangeability
- Accurate, cost effective flow sensing
- In-line printed circuit board terminals
- Standard 2.54 mm (0.100 in) mounting centers
- Accurate sensing of low pressure 0.001 in to 4.0 in H₂O (0.003 to 10 mbar)

Potential Applications

- Damper control for heating, ventilation, and air conditioning systems
- Gas analyzers
- Low vacuum control
- Process control
- Medical respirators and ventilators
- Oxygen concentrators
- Leak detection equipment
- Vent hoods
- Anesthesia control
- Gas metering
- Gas chromatography

Description

OPERATION

The microbridge mass airflow sensor operates on the theory of heat transfer. Mass airflow is directed across the surface of the sensing elements. Output voltage varies in proportion to the mass air or other gas flow through the inlet and outlet ports of the package. The specially designed housing precisely directs and controls the airflow across the microstructure sensing element. Mechanical design of the package allows it to be easily mounted to printed circuit boards.

The microbridge mass airflow sensor has a unique silicon chip based on advanced microstructure technology. It consists of a thin-film, thermally isolated bridge structure containing heater and temperature sensing elements. The bridge structure provides a sensitive and fast response to the flow of air or other gas over the chip. Dual sensing elements positioned on both sides of a central heating element indicate flow direction as well as flow rate. Laser trimmed thick film and thin film resistors provide consistent interchangeability from one device to the next.

The microbridge mass airflow sensor uses temperature sensitive resistors deposited within a thin film of silicon nitride. They are suspended in the form of two bridges over an etched cavity in the silicon. The chip is located in a precisely dimensioned airflow channel to provide a repeatable flow response. Highly effective thermal isolation for the heater and sensing resistors is attained by etching the cavity space beneath the flow sensor bridges. The small size and thermal isolation of the microbridge mass airflow sensor are responsible for the extremely fast response and high sensitivity to flows.

Dual Wheatstone bridges control airflow measurement -- one provides closed loop heater control, the other contains the dual sensing elements. The heater circuit minimizes shift due to ambient temperature changes by providing an output proportional to mass flow. The circuit keeps the heater temperature at a constant differential (160 °C) above ambient air temperature which is sensed by a heat-sunk resistor on the chip. The ratiometric voltage output of the device corresponds

to the differential voltage across the Wheatstone bridge circuit.

NOTICE

The effects of dust contamination, which may result from some applications, can be minimized. By design, dust particles that may be present in the air stream will flow past the chip parallel to the chip surface. In addition, the microstructure chip produces a thermophoretic effect, which repels micrometer sized dust particles away from the bridge structure.

A simple filter will prevent dust adherence to chip edges and channel surfaces. Adequate filtering in most applications can be achieved with a disposable five-micron filter used in series on the upstream side of the airflow device.

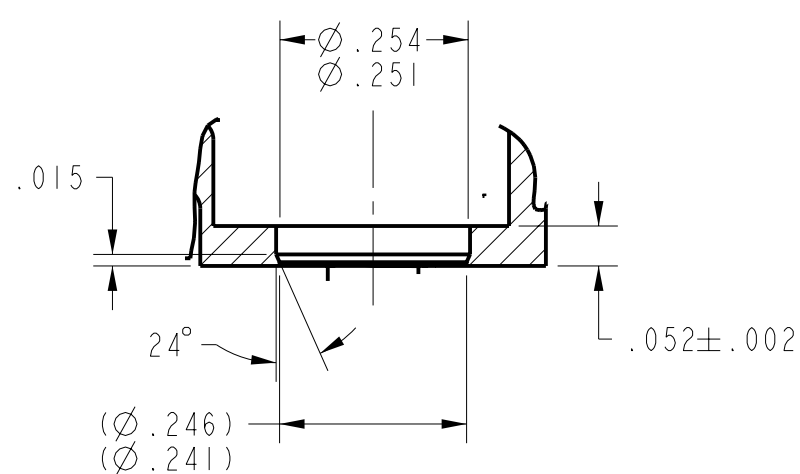
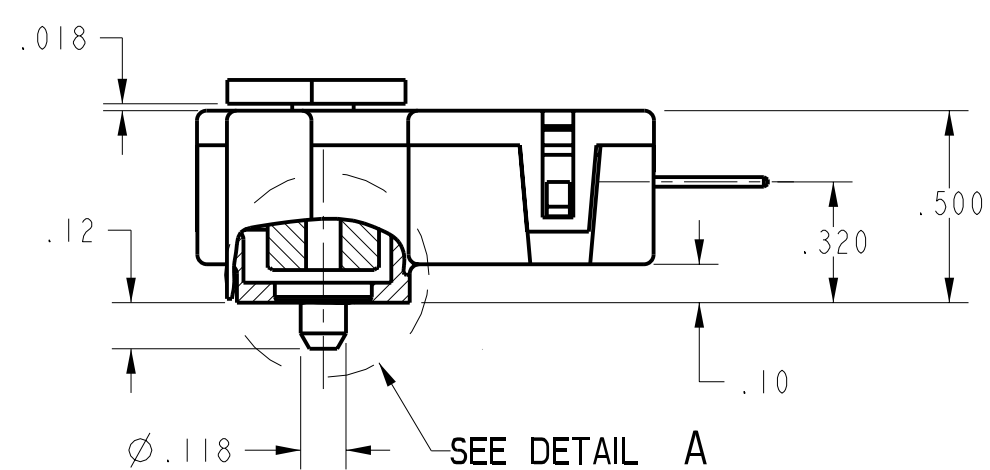
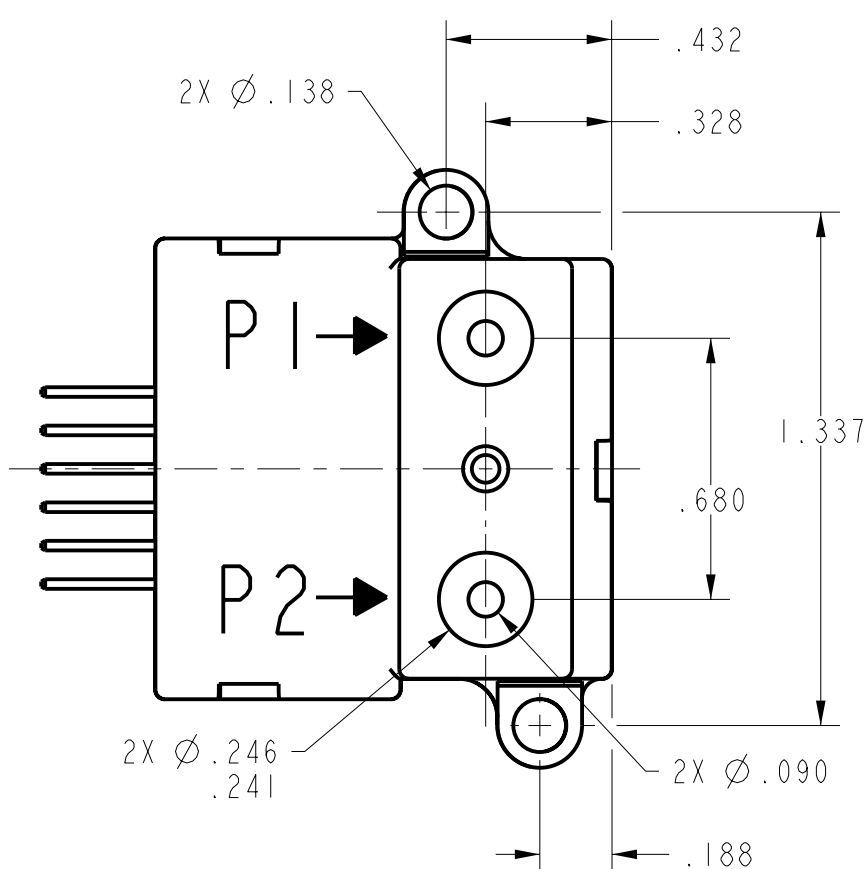
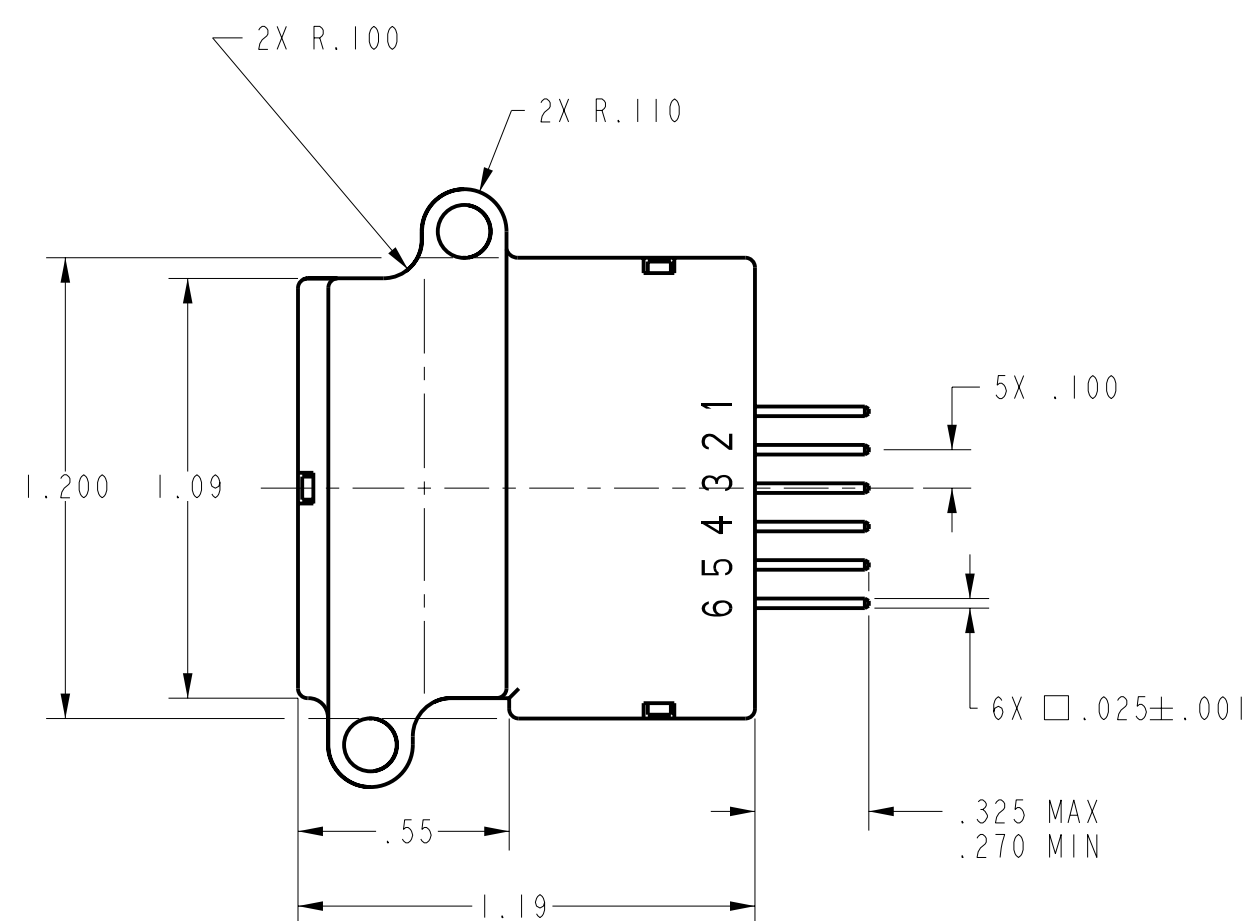
**CAUTION
PRODUCT DAMAGE**

AWM Series Microbridge Mass Airflow Sensors are not designed to sense liquid flow and will be damaged by liquid flow through the sensor.

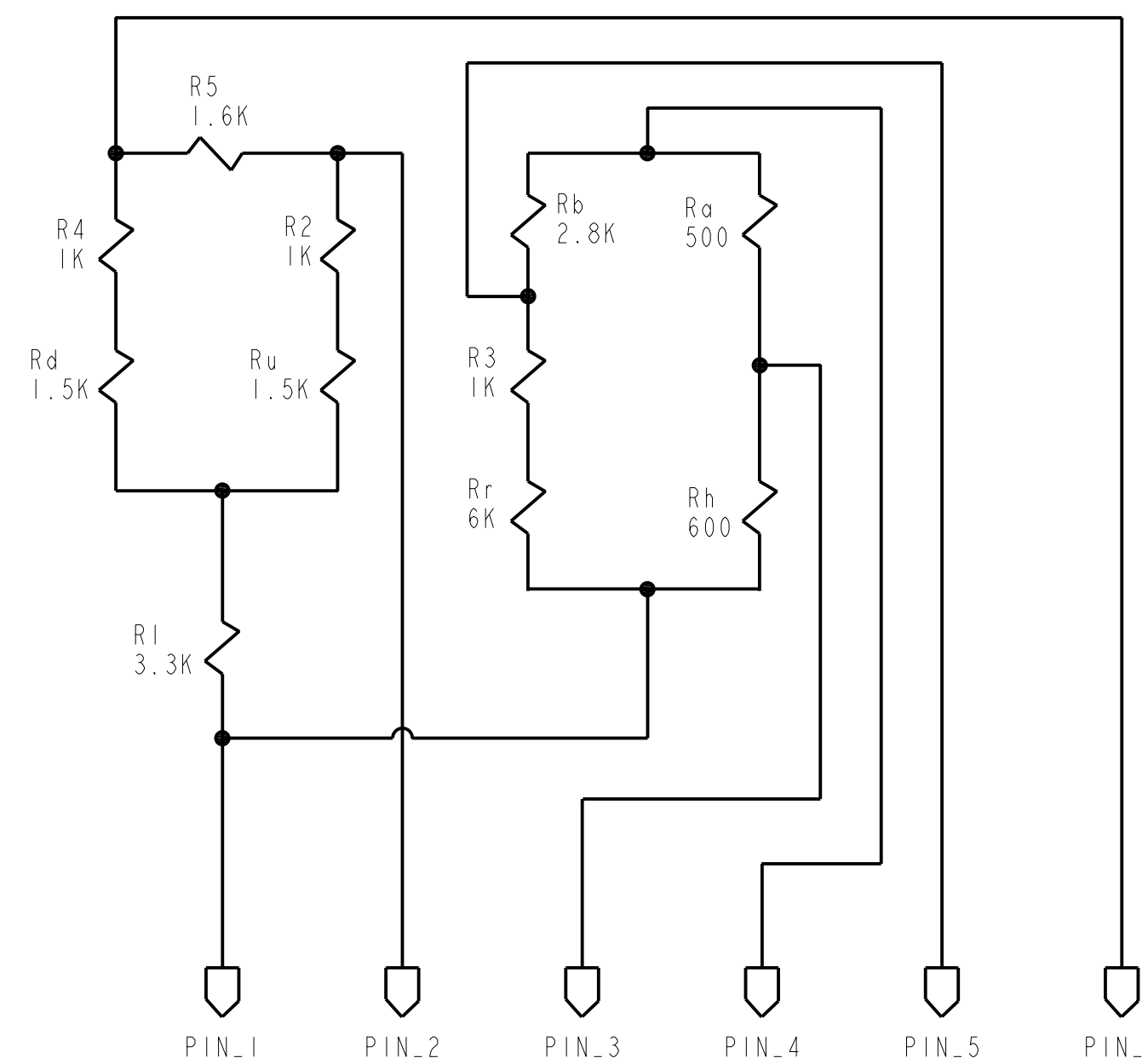
Failure to comply with these instructions could result in product damage.

Product Specifications	
Signal Conditioning	Unamplified (mV)
Flow/Pressure Range	±1000 sccm (1 SLPM)
Output Voltage @ Trim Point	54.7 mV dc ±3.7 mV dc @ 1000 sccm (1.0 SLPM)
Port Style	Manifold
Series Name	AWM40000
Null Shift over Temperature	±0.20 mV dc
Output Shift over Temperature	±2.5 % Reading
Maximum change in flow rate	5.0 SLPM/s
Max. Repeatability & Hysteresis Error	±0.50% Reading
Null Offset	0.0 mV dc ±1.5 mV dc
Response Time	1 ms typ., 3 ms max.
Supply Voltage	8.0 Vdc min., 10.0 Vdc typ., 15.0 Vdc max.
Maximum Common Mode Pressure	150 psi
Power Consumption	60 mW max.
Operating Temperature Range	-40 °C to 125 °C [-40 °F to 251 °F]
Storage Temperature Range	-40 °C to 125 °C [-40 °F to 251 °F]
Media Compatibility	Dry gas only
Weight	14 g
Shock	100 g peak (5 drops, 6 axes)
Availability	Global

Comment	Heater control circuit and sensing bridge supply circuit are both required for operation per specification and are not on board the sensor and must be supplied with the application. Nitrogen calibration gas.
UNSPSC Code	411121
UNSPSC Commodity	411121 Transducers



DETAIL A
SCALE 4:1



POWER SUPPLY (MIN/MAX)	8.0/15.0 VDC
RECOMMENDED EXCITATION	10 ± 0.01 VDC
OUTPUT LOAD	SINK 10mA SOURCE 20mA
NULL OUTPUT SHIFT: -25°C TO +85°C	.20mV
OUTPUT SHIFT: 25°C TO -25°C 25°C TO 85°C	+2.5% READING (MAX) -2.5% READING (MAX)
RAITOMETRICITY ERROR	±.3% READING
PEPEATABILITY & HYSTERESIS	±.50% READING (TYP)
TEMPERATURE RANGE OPERATING STORAGE	-25°C TO +85°C -40°C TO +125°C
TERMINATION	(.100" CENTERS) .025" SQUARE
SHOCK RATING (5 DROPS, EACH OF 6 AXES)	100g PEAK
OVERPRESSURE	150 PSI
MAX FLOW PULSE TO PREVENT DAMAGE	5 SLPM/SEC
TORQUE PER LUG	2 TO 6 IN LBS

OUTPUT VS FLOW		
FLOW (SCCM)	NOM (mVDC)	NOM (mVDC)
0	0.00	1.50
200	29.80	4.00
400	42.50	3.50
600	49.30	2.50
800	53.00	2.00
1000	55.20	2.00

PTC/CAD
 DRAWN
 GRT
 23 JAN 97
 CHECK
 PTC/CAD
 DRAWN
 GRT
 23 JAN 97
 CHECK
 REVISIONS
 ISSUE 1
 DRAWING NUMBER
 M
 AWM42300V
 PAGE 1 OF 1
 RELEASE NO. PR-22391
 REPLACES

MASTER REDUCED
ANSI Y14.5M-1982 APPLIES

MICRO SWITCH
a Honeywell Division

MASS AIRFLOW SENSOR

AWM42300V

THIS DRAWING COVERS A PROPRIETARY ITEM AND IS THE PROPERTY OF MICRO SWITCH, A DIVISION OF HONEYWELL. THIS DRAWING IS NOT TO BE COPIED OR USED WITHOUT THE APPROVAL OF MICRO SWITCH.

CATALOG LISTING

THIRD ANGLE PROJECTION		
SCALE 2:1		
DO NOT SCALE PRINT		
UNLESS OTHERWISE SPECIFIED TOLERANCES ARE		
ONE PLACE	(.0)	±.030
TWO PLACES	(.00)	±.015
THREE PLACES	(.000)	±.005
ANGLES		±
WEIGHT		